



HTs-14

HEPHAESTUS CUSTOM : THUNDER

HTs-14

HEPHAESTUS CUSTOM : THUNDER



www.hephaestusairsoft.com

Copyright © 2013. All Rights Reserved.



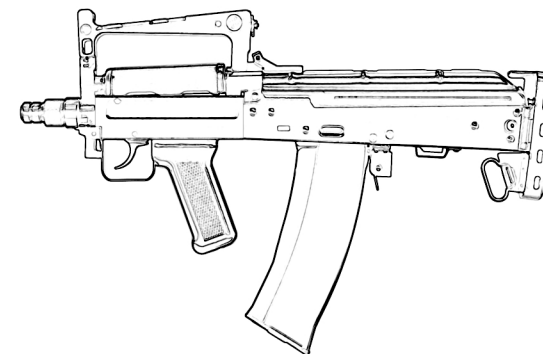
6mm Gas BlowBack Airsoft
Bullpup Assault Rifle

GHK[®]
WWW.GHKAIRSOFT.COM

Blank Page

HTs-14

HEPHAESTUS CUSTOM : THUNDER



User Manual



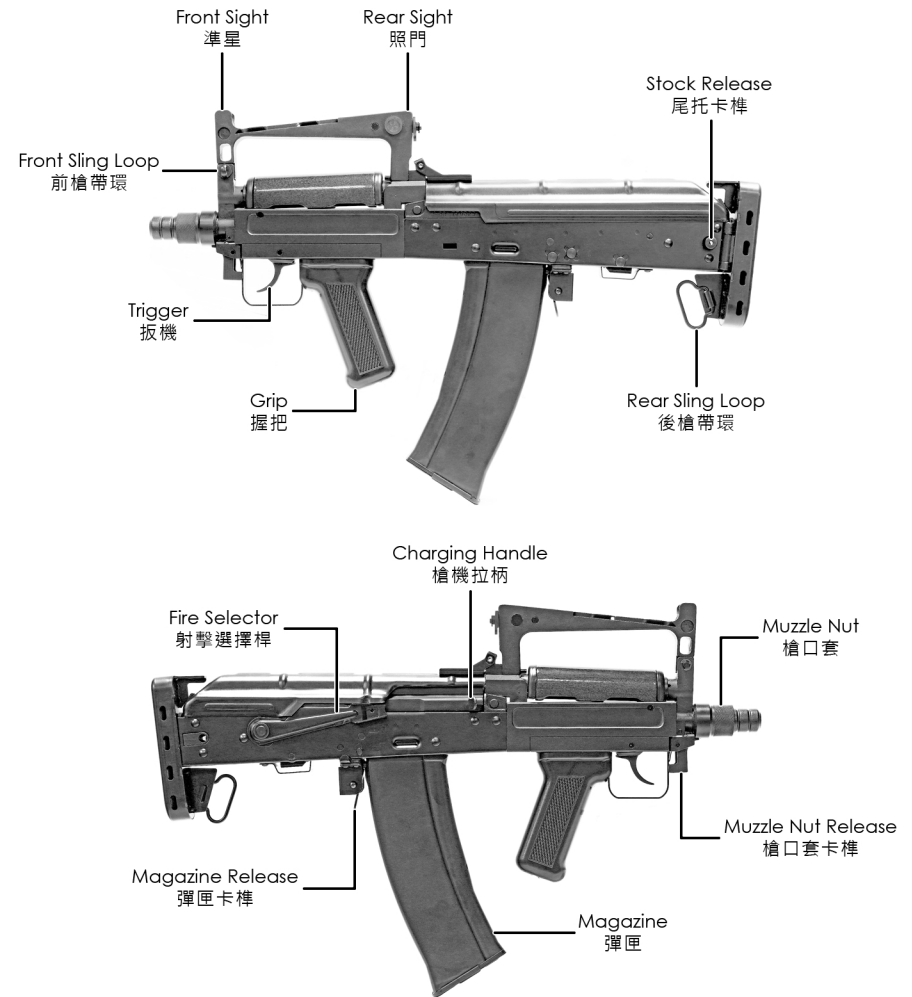
Read this manual before operation
操作本產品前請務必詳讀此操作手冊

- Always treat an airsoft gun as if it was loaded.
- Always wear eye protection when operating an airsoft gun.
- Always switch the fire selector to "safe" when you do not intend to fire it.
- Keep your finger away from the trigger, except when you are ready to shoot a target.
- Always keep the muzzle pointed in a safe direction, and never look down the muzzle.
- Never aim an airsoft gun at persons or animals.
- Make sure your target and surrounding area are safe before you shoot.
- Never pull the trigger unintentionally or carelessly.
- Never leave a loaded airsoft gun unattended.
- Always store or transport an airsoft gun in a safe container and in unloaded condition.
- Keep an airsoft gun out of reach of children.
- An incorrectly assembled airsoft gun could malfunction in dangerous ways. Repairs and modifications should only be handled by authorized agencies or gunsmiths.

**Do not display or brandish an airsoft gun in public,
it may confuse people and may be a crime.**

- 任何情況下應視為已上彈狀態處理。
- 操作汽動槍時請務必帶上護眼裝備。
- 非射擊時請將射擊選擇桿切換到保險位置。
- 除非完成射擊準備及決定射擊，否則切勿將手指放入扳機護弓內。
- 確保將槍口指向安全的地方，嚴禁望向槍口。
- 請勿將汽動槍指向任何人或動物。
- 不論遠近，射擊前應先確認射擊區內目標及周圍環境是否安全。
- 請勿不經意地或不小心地扣動扳機。
- 請勿隨意放置已上彈之汽動槍。
- 收藏或搬運汽動槍時，請務必確認汽動槍沒有上彈及放置於安全之容器內。
- 請勿讓兒童觸及汽動槍。
- 不正確組裝之汽動槍可引致故障或危險事故，維修或改裝只應由認可店舖或技術人員進行。

**請勿在公共場所展示或操作汽動槍，
否則有可能會引起公眾誤會及觸犯法律。**



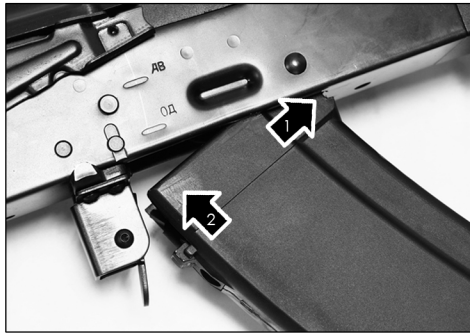
System / 系統	Gas Blow Back Airsoft / 氣動槍
Caliber / 口徑	6 mm BB
Firing Mode / 射擊模式	Full Auto, Semi Auto / 全自動、半自動
Sights / 瞄具	Adjustable / 可調式
Hop-Up	Adjustable / 可調式
Magazine Capacity / 裝彈數	40 rounds
Barrel Length / 槍管長度	245 mm

Firing Mode / 射擊模式



- Do not switch the fire selector while pulling the trigger.
請勿一邊扣動扳機一邊撥動射擊選擇桿。

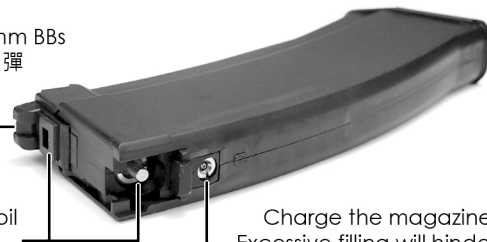
Magazine / 彈匣



- Press the magazine release to remove the magazine.
按下彈匣卡榫取下彈匣。
- To install the magazine:
依序裝上彈匣：
 - Set the groove on the magazine into the lower receiver
先將彈匣前方卡槽卡進下機匣
 - Press the magazine into the lower receiver until it is locked in place
再將彈匣後部推入下機匣直至彈匣卡榫確實卡住彈匣

Only use high-quality 6mm BBs
請使用優質 6mm BB 彈

Apply a drop of silicone oil
before use
使用前塗抹少量矽油



Charge the magazine for 4-6 seconds
Excessive filling will hinder the performance
充氣 4-6 秒，過量充氣反而會影響效能



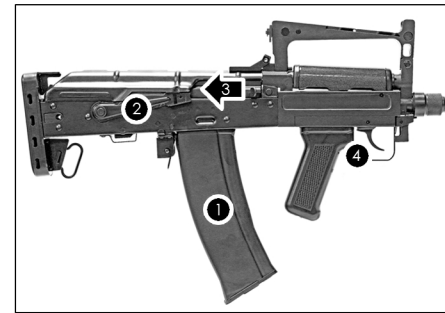
Do not expose the magazine to temperature exceeding 40°C
切勿放置彈匣於溫度 40°C 以上之高溫場所

Best performance with Green Gas, and retain some gas in the magazine after use
建議使用 12kg 瓦斯，並在使用後讓彈匣留有少量瓦斯

Dry Firing / 空擊模式

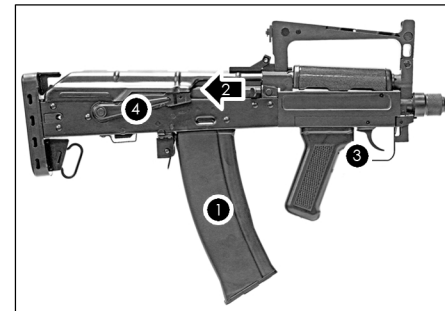


Start Shooting / 開始射擊



- Install a loaded and charged magazine.
裝上已填充及已充氣之彈匣。
- Switch firing mode to full auto / semi auto.
切換射擊模式至全自動或半自動。
- Before the first shot, rack the charging handle once to chamber a round.
在首發射擊前，先拉動槍機拉柄上膛。
- Pull the trigger to fire.
扣動扳機射擊。

Finish Shooting / 完成射擊



- Remove the magazine.
取下彈匣。
- Rack the charging handle and make sure the chamber is empty.
拉動槍機拉柄並確認膛室已經清空。
- Pull the trigger to release hammer.
扣動扳機以釋放擊錘。
- Switch fire selector to "safe" position.
將射擊選擇桿切換到保險位置。

Basic Maintenance / 基本保養



1. Press the stock release to open the stock.
按下尾托卡榫去打開尾托。
2. Press the spring guide retainer to release the top cover.
將覆進簧座推入以釋放上機匣。
3. Open the top cover for basic maintenance and hop-up adjustment.
打開上機匣作基本保養及調節 hop-up。

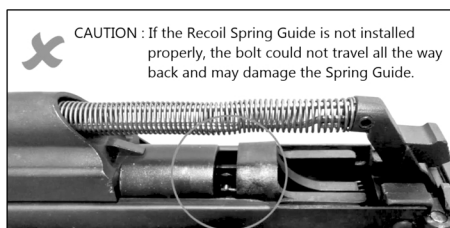


Apply a few drops of silicone oil to o-rings and contact surfaces of moving parts
在橡膠圈及磨擦面塗抹少量矽油

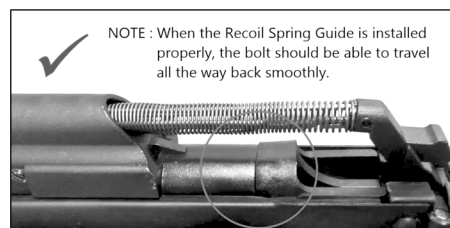
- HTs-14 is equipped with Simulated Recoil Spring Assembly. Please follow the installation instructions to ensure proper installation and functioning.
HTs-14 原裝已配置仿真回膛套件。請詳閱安裝說明以確保套件安裝正確及運作正常。



Installation Instructions / 安裝說明：
www.hephaestusairsoft.com/HE-GHK-008



CAUTION: If the Recoil Spring Guide is not installed properly, the bolt could not travel all the way back and may damage the Spring Guide.

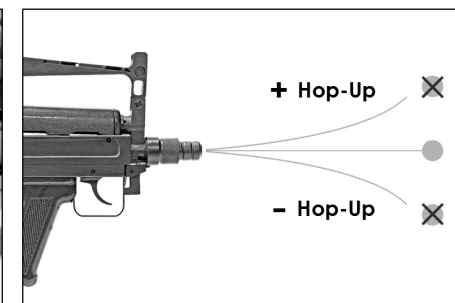
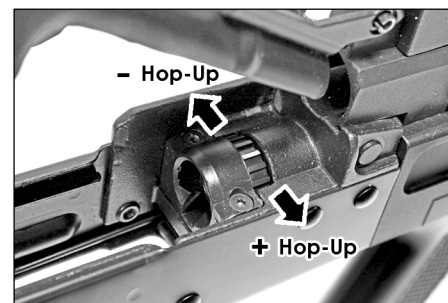


NOTE: When the Recoil Spring Guide is installed properly, the bolt should be able to travel all the way back smoothly.

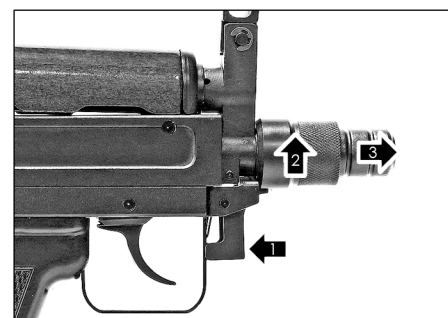


Remember to check bolt travel and smooth cycling after installation
每次安裝後請務必檢查槍機行程及確認運作暢順

Hop-Up Adjustment / 調節 Hop-Up



Muzzle Nut / 槍口套



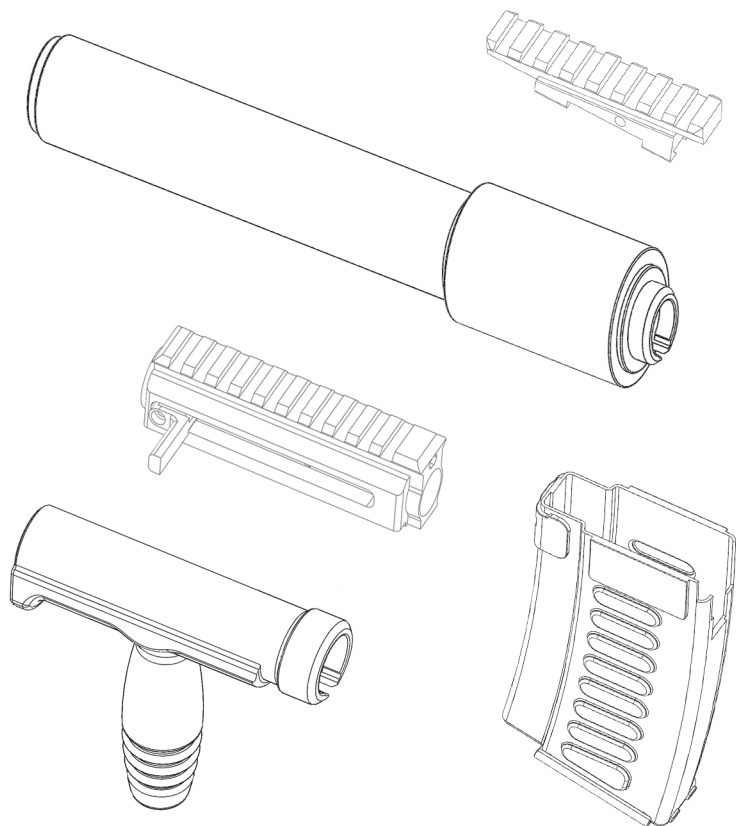
1. Press and hold the muzzle nut release.
按住槍口套卡榫。
2. Rotate the muzzle nut 90° clockwise.
將槍口套順時針方向旋轉 90 度。
3. Remove the muzzle nut.
取下槍口套。



Diagram, parts and updated information, please visit:
分解圖·配件及其他最新相關資訊·請瀏覽：

www.hephaestusairsoft.com

Want more ?...



Stay Tuned...

Blank Page